

8 7 6 5 4 3 2 1

D

D

C

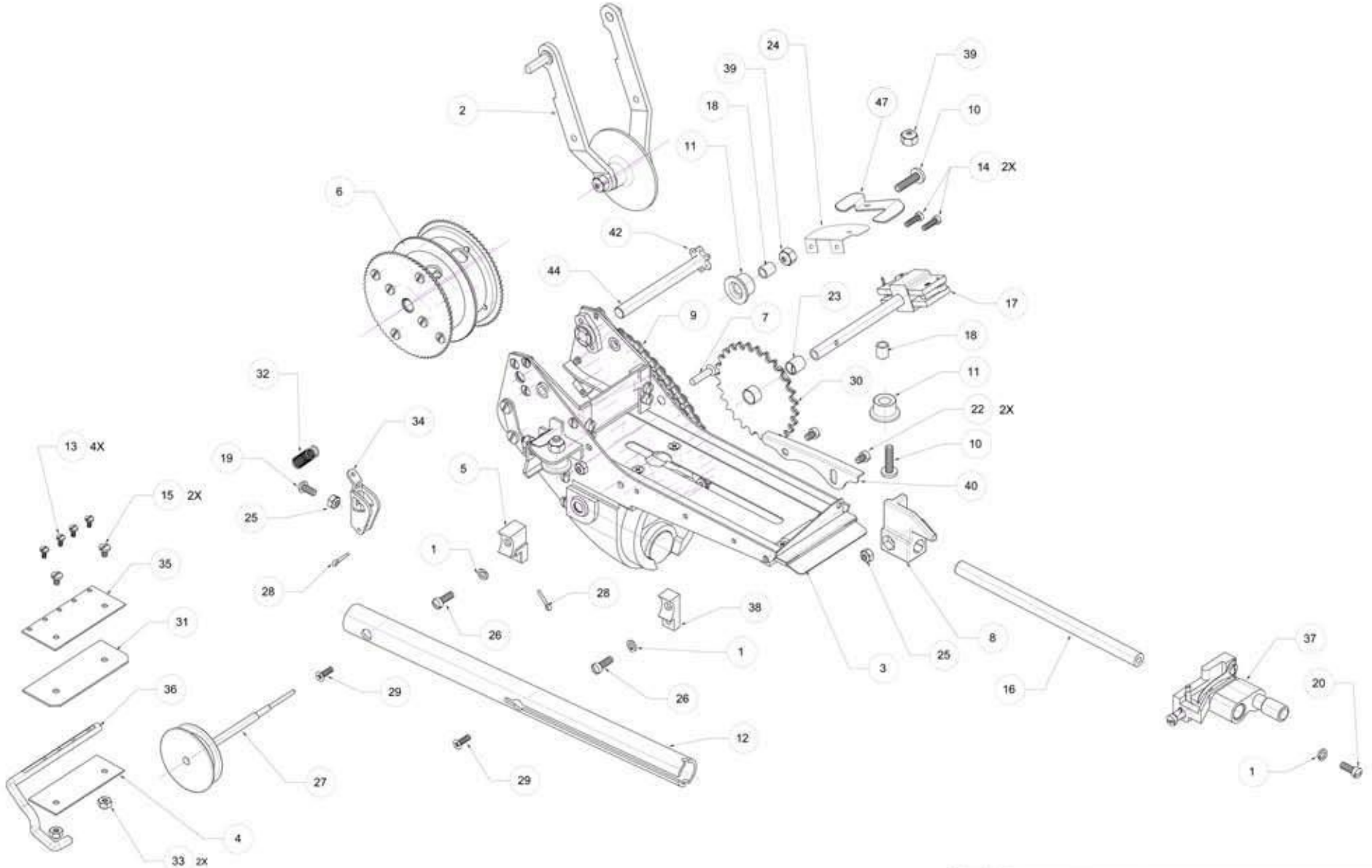
C

B

B

A

A



8 7 6 5 4 3 2 1

Register and Copyright  
 The information contained  
 on this drawing is the sole  
 property of Level 5 Tools,  
 LLC. Any reproduction or  
 use of it in whole or in  
 part without the written permission of  
 Level 5 Tools, LLC is  
 prohibited.



Taper Head Assembly

|       |      |   |
|-------|------|---|
| 12-07 | 7344 | B |
|-------|------|---|