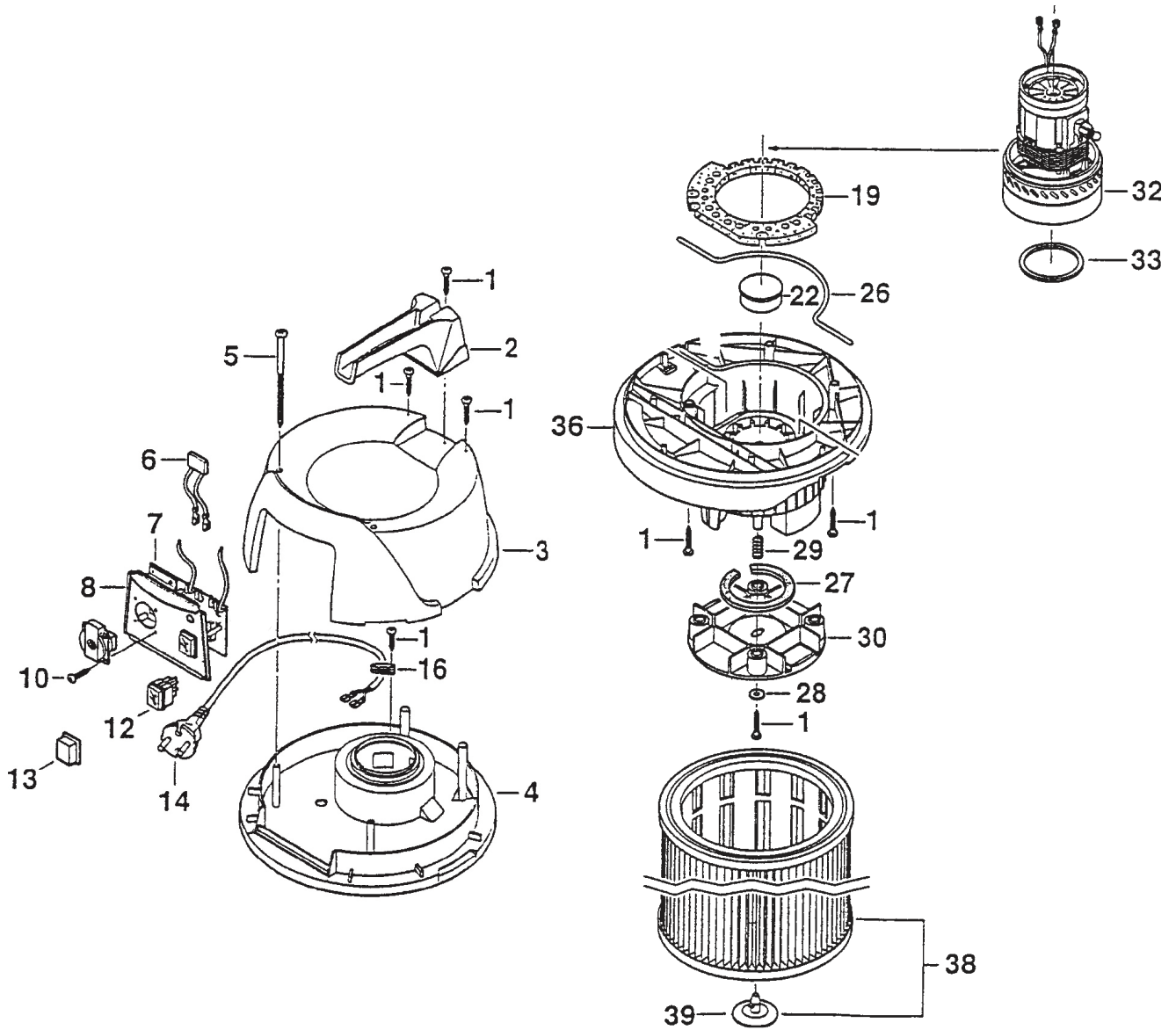


Starmix Vacuum

DE-1032



DE-1032 MOTOR HEAD ASSEMBLY

Part no.	Qty on Tool	Description
01	16	Screw
02	1	Handle
03	1	Hood
04	1	Upper Housing
05	2	Oval Head Screw
06	1	Capacitor
07	1	Electronic board
08	1	Control Panel inc socket (NZ/AUS)
10	2	Taping screw with countersunk head
12	1	On/off push-button switch
13	1	Cover for switch
16	1	Strain Relief Clamp

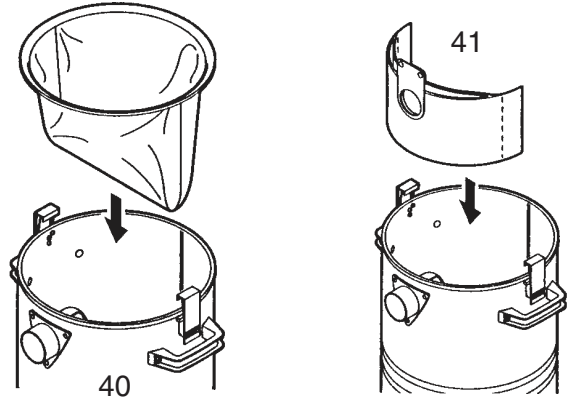
Part no.	Qty on Tool	Description
19	1	Silencer
22	1	Float
26	1	Rubber part
27	1	Motor protection filter
28	4	Washer
29	4	Pressure Spring
30	1	Vibrator / Adaptor Plate
32	1	Motor blower 230V
33	1	Seal
36	1	Lower Housing
38	1	Pleated filter
39	1	Bayonet fixing

Starmix Vacuum

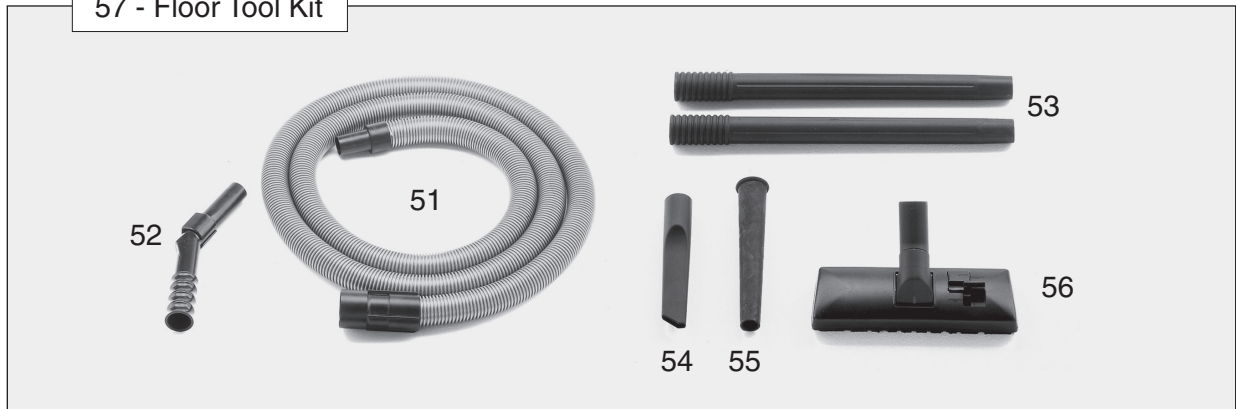
DE-1032

DE-1032 MOTOR HEAD ASSEMBLY

Part no.	Qty on Tool	Description
40	1	Pre-filter Sac-cloth
41	1	Paper dust bag
42	2	Carbon brushes
51	1	Flexible suction hose 3.2m
52	1	Tube handle
53	2	Suction tube
54	1	Crevice nozzle
55	1	Rubber nozzle
56	1	Floor Tool
57		Floor Tool Kit (sold separately)

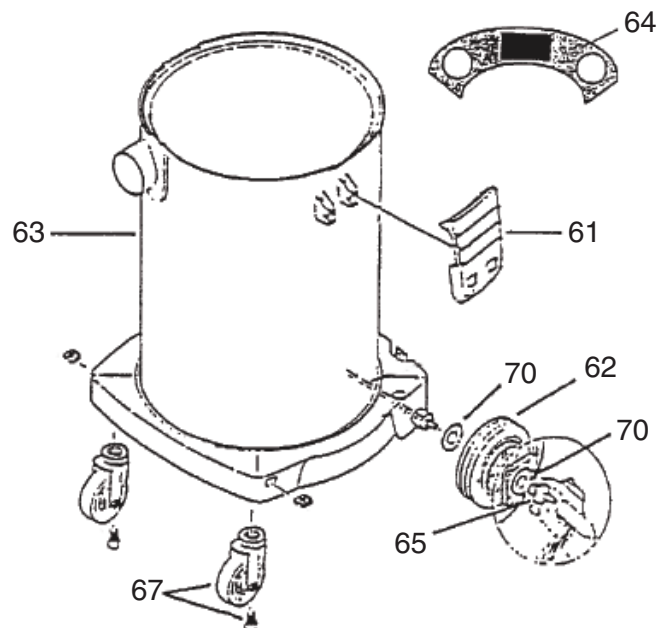


57 - Floor Tool Kit



DE-1032 PLASTIC CANISTER

Part no.	Qty on Tool	Description
61	2	Locking Device
62	2	Wheel
63	1	Complete Canister Assembly 32L (parts 61, 62 and 67)
64	1	Tube holder
65	2	Screw
67	2	Castor for 32L
70	2	Washer



Distributed by Wallboard Tool Co Pty Ltd:

P: 1300 653 177 | F: 1300 657 442 | E: sales@wallboardtools.com.au

W: www.wallboardtools.com.au



Use only genuine Starmix parts on Starmix brand vacuum. Using other brands parts on the Starmix Vacuum may effect the operation of the product and void warranty